

Toolless Plug

RJ45 UTP CAT6A TOOLLESS PLUG ZC-688X-C6A



TYPE:

CAT6A RJ45 unshielded toolless plug with fixed ring

Colour: White

Rohs, reach compliant

CABLE MATCHED:

Soild and stranded

22AWG/23AWG/24AWG

ELECTRICAL:

Contact resistance: 20m ohm

Insulation resistance: $\leq 500M$ ohm @100 V DC

Withstand voltage: DC1000V AC700V RMS 60HZ, IMIN

Cat6a permanent link: Conform to ANSI/TIA/EIA 568B. 2-10

ENVIRONMENTAL:

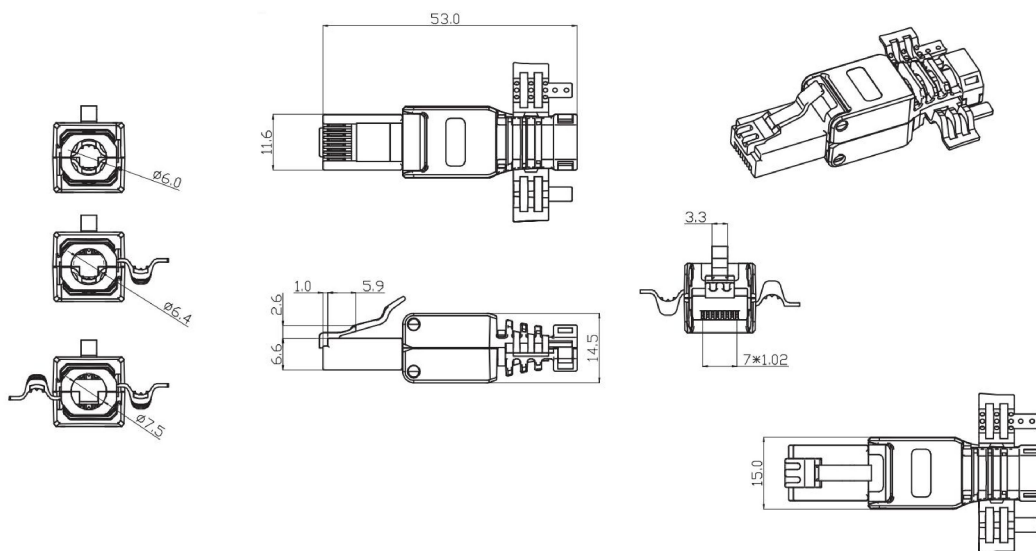
Storage: $-40^{\circ}/ +70^{\circ}$

Operation: $-10^{\circ}/ +60^{\circ}$

Toolless Plug

MECHANICAL:

Plastic material:	New pc
Gold pins:	Phosphor bronze, gold plating 3u''
Terminal pins:	Phosphor bronze, zin plating
Rj45 contact life:	750 times min
IDC terminal life:	250 times min



CAT6A UNSHIELDED TOOLLESS PLUG INSTRUCTION MANUAL

