

LC UPC DX High-Low Adapter



Zion Code and Description

Zion Code	Zion Description
7235059	LC UPC DX High-Low Adapter

Applications

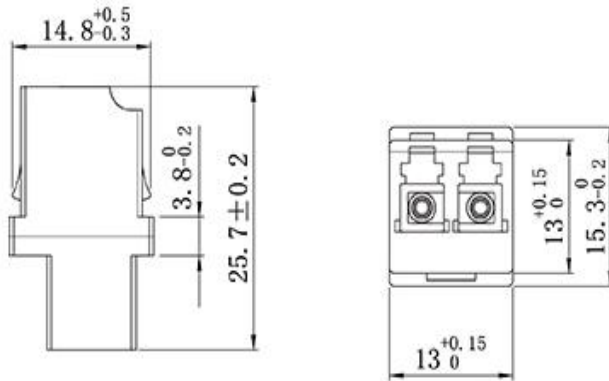
- By linking two connectors precisely, fiber optic adapters allow the light sources to be transmitted at most and lower the loss as much as possible. At the same time, fiber optic adapters have the merits of low insertion loss, good interchangeability and reproducibility. And each fiber optic Adapter is functionally tested before shipping.

Description

- The fiber optic adapter is to implement the same or different fiber optic active connectors in the fiber line. It makes the optical path unblocked with little loss. It precisely connects the two end faces of the fiber to emit the light energy output by the fiber. It can be coupled to the receiving fiber to the greatest extent and minimize the impact on the system due to its intervention in the optical link. It belongs to the field of optical passive components and can be used in telecommunications networks, cable television networks, user loop systems, and local area networks. The adapters supplied by Hangzhou Zion Communication Co., Ltd. have high flame retardancy, low insertion loss, high durability, and wide operating temperature. It is your best choice.

- Fiber optic adapter, also called coupler, is a small device designed to terminate or link the fiber optic cables or fiber optic connectors between two fiber optic lines.

LC UPC DX High-Low Adapter







Characteristics:

Parameter	FC, SC, LC, ST, MU, MTRJ, ST-SC, FC-SC, ST-FC			
	SM		MM	
Operating Wavelength(nm)	1310-1550		850-1300	
Insertion Loss (dB)	≤ 0.2			
Return Loss (dB)	PC ≥45	UPC ≥50	APC ≥60	PC ≥30
Repeatability (dB)	≤ 0.2			
Alternating loss (dB)	≤ 0.2			
Durability	The change of 500 interpolation times is less than 0.20dB			
Number of channels	Single core, Dual core, 4 core			
Frame material	Metal or Plastic			
Sleeve material	Ceramic or Metal			
Operating Temperature (°C)	-40 ~ +85			
Storage Temperature (°C)	-40 ~ +85			

Zion Communication's Hot LC-LC Fiber Optical Adapter

Zion Code	Zion Description
7235001	LC APC DX Asymmetric Welding Adapter With Flange
7235002	LC APC DX Asymmetric Welding Adapter Without Flange
7235003	LC APC DX High-Low Adapter
7235004	LC APC DX One-piece Adapter With Flange
7235005	LC APC DX One-piece Adapter Without Flange
7235006	LC APC DX Welding Symmetry-type Adapter With Flange
7235007	LC APC DX Welding Symmetry-type Adapter Without Flange
7235008	LC APC QUAD Asymmetric Welding Adapter With Flange
7235009	LC APC QUAD Asymmetric Welding Adapter Without Flange
7235010	LC APC QUAD One-piece Adapter With Flange
7235011	LC APC QUAD One-piece Adapter Without Flange
7235012	LC APC QUAD Welding Symmetry-type Adapter With Flange
7235013	LC APC QUAD Welding Symmetry-type Adapter Without Flange
7235014	LC APC SX Adapter Without Flange
7235015	LC DX Metal Adapter
7235016	LC MM DX Asymmetric Welding Adapter With Flange
7235017	LC MM DX Asymmetric Welding Adapter Without Flange
7235018	LC MM DX One-piece Adapter With Flange
7235019	LC MM DX One-piece Adapter Without Flange
7235020	LC MM DX Welding Symmetry-type Adapter With Flange
7235021	LC MM DX Welding Symmetry-type Adapter Without Flange
7235022	LC MM QUAD Asymmetric Welding Adapter With Flange
7235023	LC MM QUAD Asymmetric Welding Adapter Without Flange
7235024	LC MM QUAD One-piece Adapter With Flange
7235025	LC MM QUAD One-piece Adapter Without Flange
7235026	LC MM QUAD Welding Symmetry-type Adapter With Flange
7235027	LC MM QUAD Welding Symmetry-type Adapter Without Flange
7235028	LC MM SX Adapter Without Flange
7235029	LC OM3 DX Asymmetric Welding Adapter With Flange
7235030	LC OM3 DX Asymmetric Welding Adapter Without Flange
7235031	LC OM3 DX High-Low Adapter
7235032	LC OM3 DX One-piece Adapter With Flange
7235033	LC OM3 DX One-piece Adapter Without Flange
7235034	LC OM3 DX Welding Symmetry-type Adapter With Flange
7235035	LC OM3 DX Welding Symmetry-type Adapter Without Flange
7235036	LC OM3 QUAD Asymmetric Welding Adapter With Flange
7235037	LC OM3 QUAD Asymmetric Welding Adapter Without Flange
7235038	LC OM3 QUAD One-piece Adapter With Flange
7235039	LC OM3 QUAD One-piece Adapter With Flange-p
7235040	LC OM3 QUAD Welding Symmetry-type Adapter With Flange
7235041	LC OM3 QUAD Welding Symmetry-type Adapter Without Flange
7235042	LC OM3 SX Adapter Without Flange
7235043	LC OM4 DX Asymmetric Welding Adapter With Flange
7235044	LC OM4 DX Asymmetric Welding Adapter Without Flange
7235045	LC OM4 DX High-Low Adapter
7235046	LC OM4 DX One-piece Adapter With Flange
7235047	LC OM4 DX One-piece Adapter Without Flange
7235048	LC OM4 DX Welding Symmetry-type Adapter With Flange

7235049	LC OM4 DX Welding Symmetry-type Adapter Without Flange
7235050	LC OM4 QUAD Asymmetric Welding Adapter With Flange
7235051	LC OM4 QUAD Asymmetric Welding Adapter Without Flange
7235052	LC OM4 QUAD One-piece Adapter With Flange
7235053	LC OM4 QUAD One-piece Adapter Without Flange
7235054	LC OM4 QUAD Welding Symmetry-type Adapter With Flange
7235055	LC OM4 QUAD Welding Symmetry-type Adapter Without Flange
7235056	LC OM4 SX Adapter Without Flange
7235057	LC UPC DX Asymmetric Welding Adapter With Flange
7235058	LC UPC DX Asymmetric Welding Adapter Without Flange
7235059	LC UPC DX High-Low Adapter
7235060	LC UPC DX One-piece Adapter With Flange
7235061	LC UPC DX One-piece Adapter Without Flange
7235062	LC UPC DX Welding Symmetry-type Adapter With Flange
7235063	LC UPC DX Welding Symmetry-type Adapter Without Flange
7235064	LC UPC QUAD Asymmetric Welding Adapter With Flange
7235065	LC UPC QUAD Asymmetric Welding Adapter Without Flange
7235066	LC UPC QUAD One-piece Adapter With Flange
7235067	LC UPC QUAD One-piece Adapter Without Flange
7235068	LC UPC QUAD Welding Symmetry-type Adapter With Flange
7235069	LC UPC QUAD Welding Symmetry-type Adapter Without Flange
7235070	LC UPC SX Adapter Without Flange

Connector Type	LC, SC, FC, ST
	Used in LC optical fiber interface to connect the connector of SFP module. It is made by the easy-to-operate modular jack (RJ) latch mechanism. (Routers are commonly used)
	Used in SC fiber optic interface, it looks very similar to the RJ-45 interface, but the SC interface is flatter, and the obvious difference is the inner contact. If it is 8 thin copper contacts, then It is an RJ-45 interface, if it is a copper column, it is an SC fiber interface.
	Used in FC optical fiber interface, the external strengthening method is a metal sleeve, and the fastening method is a turnbuckle. Generally used on the ODF side (most used on the distribution frame)
	Used in ST optical fiber interface, commonly used in optical fiber distribution frame, the shell is round, and the fastening method is turnbuckle. (For 10Base-F connection, the connector is usually ST type. Commonly used in optical fiber distribution frame)

OEM/ODM service for you

ZION Communication has rich experiences in producing OEM/ODM cases

- Customized Logo
- Label/PE bag/Carton design