

## MTP Female To MTP Female OM4 3.0mm LSZH 24 Fibers MTP Trunk Cable Custom Meters



### Zion Code and Description

Zion Code	Zion Description
ZCM2158HMA1X	MTP Female To MTP Female OM4 3.0mm LSZH 24 Fibers MTP Trunk Cable Custom Meters

The MTP connector is a type of fiber connector. MTP (Multi-Fiber Push On) is a multi-core fiber connector type. The MTP high -density fiber pre -connection system is currently mainly used in the application of high -density environments of data centers, the application of optical fiber to the building, and the internal connection applications inside the optical transceiver equipment such as the optical device, 40G, 100G, QSFP+.

MTP connector types are distinguished according to the IEC 61754-7 regulations: core numbers (array number), male head (Male, Female), polarity (PC or APC).

MTP-MTP 3.0mm LSZH Fiber Patch Cord. MTP Fiber Patch Cord cable is terminated with MTP connector on both ends. MTP Fiber Patch Cord connect MTP modules together as a permanent link. The Fiber Patch Cord are available with 12, 24, 48,60,72 ,96,144fibers. Support speeds up to 10/40/100Gbps data center solutions. They are typically adopted to interconnect cassettes, panels or ruggedized MTP fan-outs, and to facilitate rapid deployment of high-density backbone cabling in data centers and other high fiber environments. Besides, MTP also provides much flexibility and convenience once you have to change the connector style in the patch panels. Instead of changing the connector on the cable trunk, just installing a new cassette with the new connector style on the crossconnect side of the patch panel.

The 12F MTP-MTP Fiber Patch Cord is designed for 40G QSFP+ SR4, 40G QSFP+ CSR4 and 100G QSFP28 SR4 optics direct connections and high-density data center.

**Connectors' Industrial Standard:**

Connector	Reference	Housing Details
MTP Singlemode	EIA/TIA-604-5	SM APC: Green connectors+black boot (Standard Loss MTP) SM APC: Yellow connectors+black boot (Super low loss MTP)
MTP Multimode	EIA/TIA-604-5	OM1&OM2 PC: Beige connectors+black boot (Standard Loss MTP) OM3&OM4 PC: Aqua connectors+black boot (Standard&Super low loss MTP) OM3&OM4 PC: Heather Violet connectors+black boot (Standard loss MTP)

- Meets IEC Standard IEC-61754-7; IEC61755, Telcordia GR-1435-CORE, JIS C5982; TIA-604-5(FOCIS5) compliant Structured cabling per TIA-568-C
- 10G Fiber Channel Compliant
- 40G and 100G IEEE 802.3

**Optical Specifications:**

Spec items.	Single mode (APC 8-degree polished)	Multimode (PC Flat polish)
Insertion loss (MTP) (IEC 61300-3-34)	Standard loss: $\leq 0.75\text{dB}(\text{max}), \leq 0.50\text{dB}(\text{Typical})$ Super Low loss: $\leq 0.35\text{dB}(\text{max}), \leq 0.20\text{dB}(\text{Typical})$	Standard loss: $\leq 0.6\text{dB}(\text{max}), \leq 0.50(\text{Typical})$ Super Low loss: $\leq 0.35\text{dB}(\text{max}), \leq 0.20\text{dB}(\text{Typical})$
Insertion loss (LC/SC/FC/ST) (IEC 61300-3-6)	$\leq 0.3\text{dB}$	$\leq 0.3\text{dB}$
Return loss(MTP)	$\geq 60\text{dB}$ (8degree polishing)	$\geq 25\text{dB}$
Return loss(LC/SC/FC/ST)	APC $\geq 60\text{dB}$ ; UPC $\geq 50\text{dB}$	$\geq 35\text{dB}$
Durability	$< 0.3\text{dB}$ typical change, 200 matings	
Interchangeability	$\leq 0.2\text{dB}$	
Tensile strength	$> 70\text{N}$	
Plug -in times	$> 600$	
Operating Temperature (°C)	$-40$ to $+ 85^\circ\text{C}$	

**Features:**

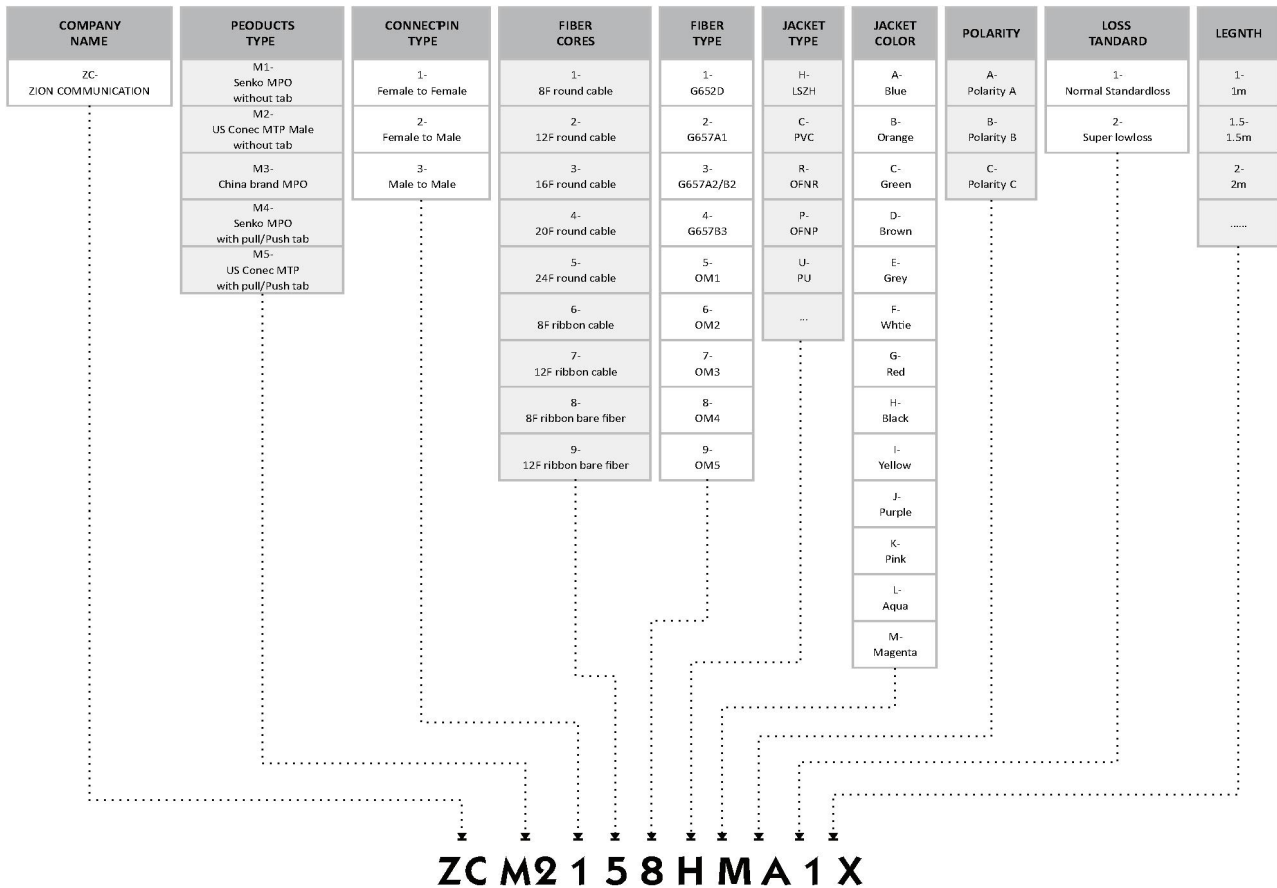
- Low insertion loss, high return loss
- MT based Multi-fiber Connector, 4,8,12 and 24 fiber connector terminations and assemblies
- Economical solution for mass-termination of fiber
- Designed for low loss and standard loss SM and MM applications
- Ruggedized round cable, oval cable and bare ribbon options available
- Color coded housings available to differentiate fiber type, polish type and/or connector grade
- Good in repeatability and exchangeability

### Application:

All of OMC's MTP Connectors are from Senko/Nissin/Sumitomo. MTP Patch Cord is a kind of high density cable assemblies which is generally use in three areas.

- The Data Center application with high dense degree environment
- The optical fiber to the building
- The internal connector application in fiber equipment.

### Naming Rules&Order Confirmation Information:

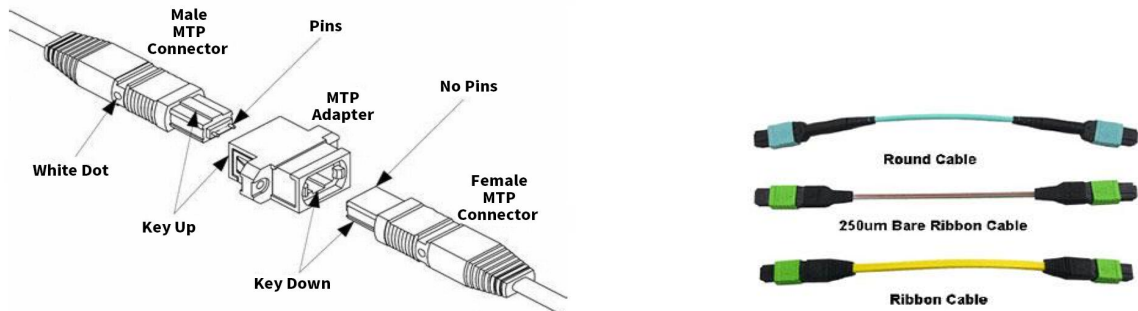


**Push Pull Tab For Senko MTP**

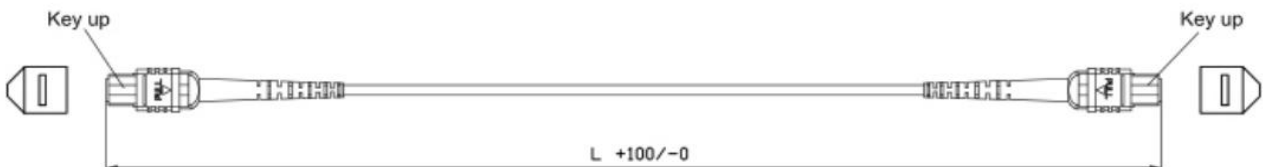


Connector		Fiber Channel
<p>Key-Up</p> <p>MTP (Male) - Pins</p>	<p>Key-Up</p> <p>MTP (Female) - No Pins</p>	<p>24 Fibers</p>
MTP Connectors		

**Note: Female connector need to connect with male connector type.**

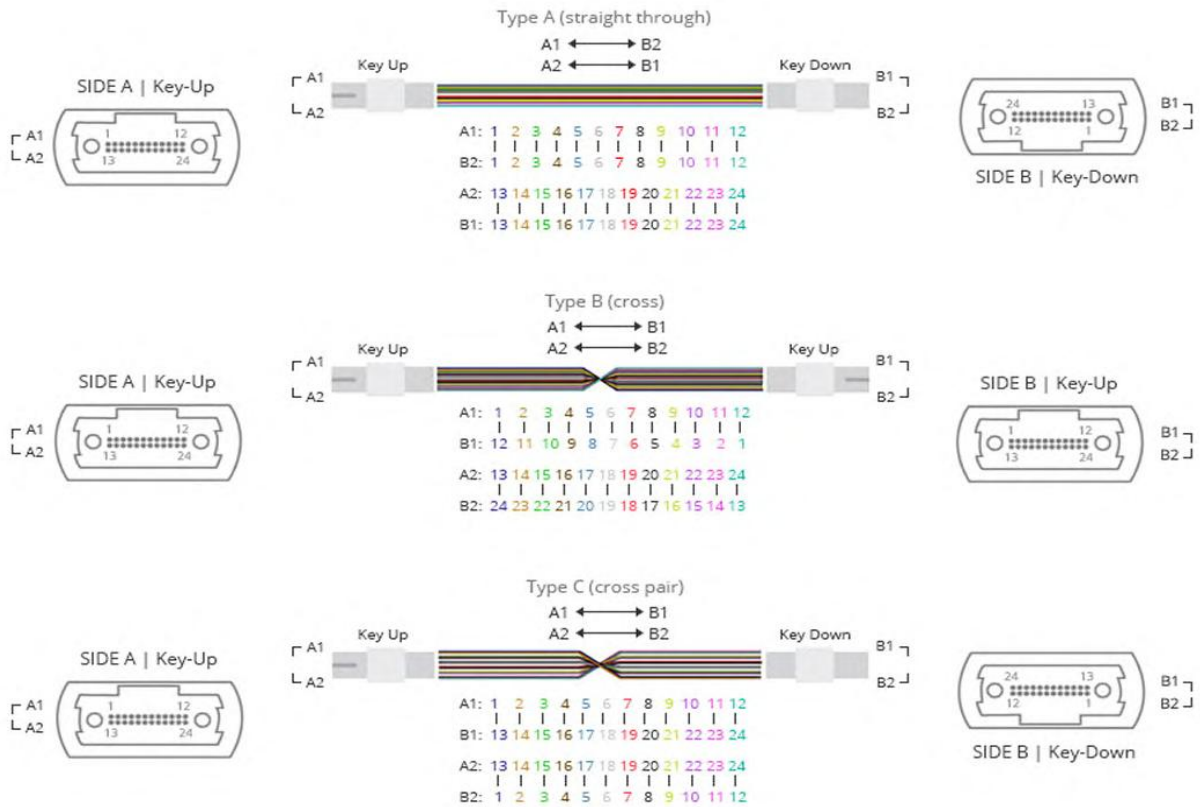


**MTP-MTP 24F Trunk cable drawing.**



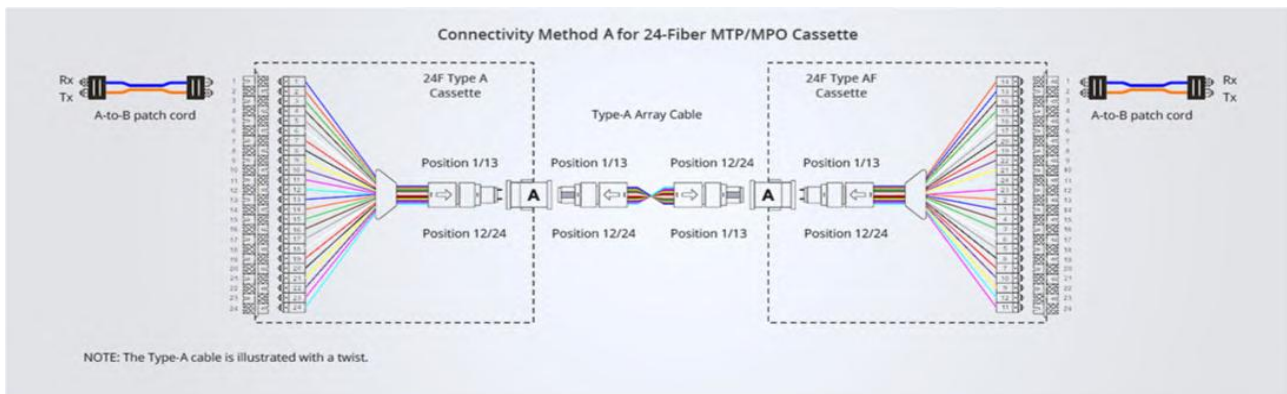
Overall Length(L)(m)	length of tolerance(cm)
0<L<1	+5/-0
1<L<10	+10/-0
10<L<40	+15/-0
40<L	+0.5% x L/-0

Three Connection Methods Help Keep the Right MTP/MTP Polarity



Base-24 Polarity Solution

To catch up with the increased demand for higher bandwidth, 24-fiber MTP/MTP cable is introduced to facilitate migration to 100G network. It doubles the density of 12-fiber cabling in the same footprint, which reduces the fiber count, allows for fewer cable pathway, and improving airflow. The polarity maintenance of base-24 MTP/MTP cabling, however, is more complicated. OMC recommends the Type A (key-up to key-down) MTP/MTP cable. With our Type A and Type AF cassette, no need for A-to-A patch cable any more. The connectivity method is illustrated in the following picture



## Zion Communication's Hot TRUNK CABLE

Zion Code		Zion Description
7236001	ZCM1122HIA1X	MPO Female To MPO Female SM 3.0mm LSZH 12 Fibers MPO Patch Cord Custom Meters
7236002	ZCM1152HIA1X	MPO Female To MPO Female SM 3.0mm LSZH 24 Fibers MPO Patch Cord Custom Meters
7236003	ZCM1127HLA1X	MPO Female To MPO Female OM3 3.0mm LSZH 12 Fibers MPO Patch Cord Custom Meters
7236004	ZCM1157HLA1X	MPO Female To MPO Female OM3 3.0mm LSZH 24 Fibers MPO Patch Cord Custom Meters
7236005	ZCM1128HMA1X	MPO Female To MPO Female OM4 3.0mm LSZH 12 Fibers MPO Patch Cord Custom Meters
7236006	ZCM1158HMA1X	MPO Female To MPO Female OM4 3.0mm LSZH 24 Fibers MPO Patch Cord Custom Meters
7236007	ZCM2122HIA1X	MTP Female To MTP Female SM 3.0mm LSZH 12 Fibers MTP Patch Cord Custom Meters
7236008	ZCM2152HIA1X	MTP Female To MTP Female SM 3.0mm LSZH 24 Fibers MTP Patch Cord Custom Meters
7236009	ZCM2127HLA1X	MTP Female To MTP Female OM3 3.0mm LSZH 12 Fibers MTP Patch Cord Custom Meters
7236010	ZCM2157HLA1X	MTP Female To MTP Female OM3 3.0mm LSZH 24 Fibers MTP Patch Cord Custom Meters
7236011	ZCM2128HMA1X	MTP Female To MTP Female OM4 3.0mm LSZH 12 Fibers MTP Patch Cord Custom Meters
7236012	ZCM2158HMA1X	MTP Female To MTP Female OM4 3.0mm LSZH 24 Fibers MTP Patch Cord Custom Meters

## Packaging

This easily taken and well-protected fiber optical cable package has been labelled and marked by OMC as default .Standard carton size : 34\*22\*15 cm ; 44\*34\*24 cm ; 54\*39\*34 cm . Which carton to be used depends on goods Qty . Packing can be customized.



1,Self-seal PE Bag



2 Bubble Bag



3, Paper Carton



4, fumig-free Pallet

## OEM/ODM service for you

1. Cable color, printing word, material of cable jacket, connector's color
2. OEM Label, Identify ring, cable's label, box, shipping marks
3. Different quality Level.