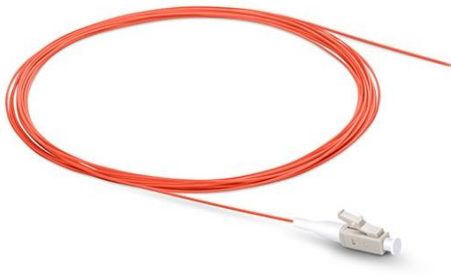


**LC APC Simplex
OM1 Multimode PVC 0.9mm -2m(6ft) FOPT
12F1411-2 (7242210)**




Product Specification

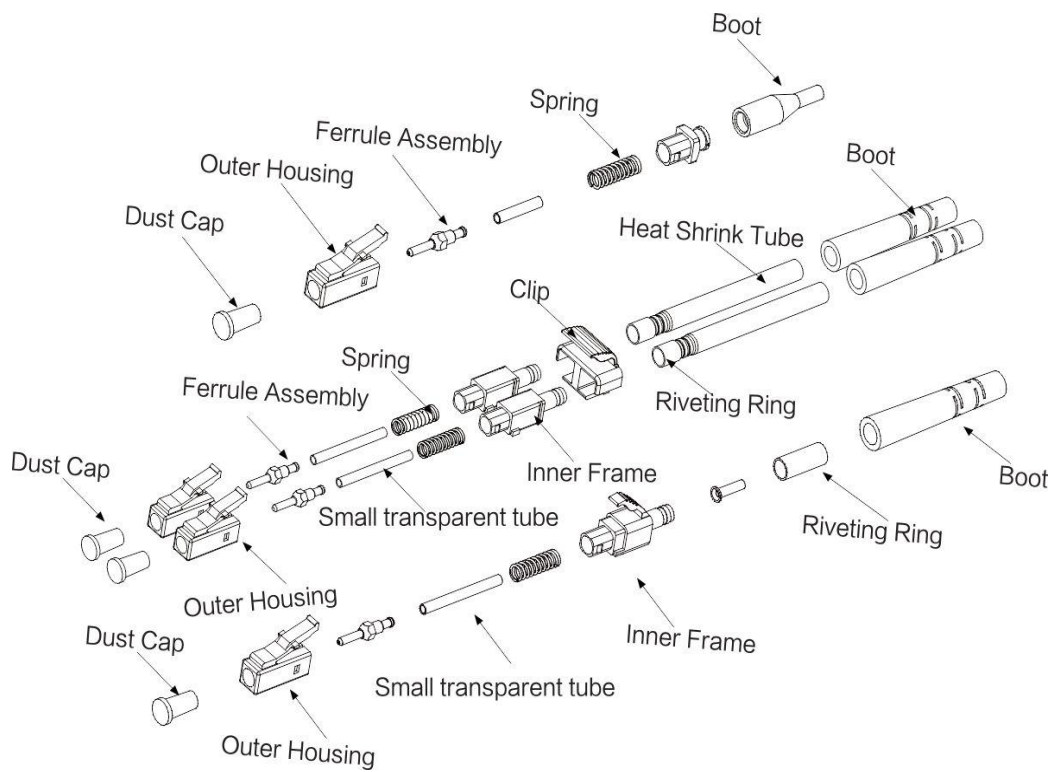
Fiber Optic Cable

Fiber Type	Single-mode: OS2 (G.652.D / G.657.A1 / G.657.A2)
	Multi-mode: OM1 (62.5/125), OM2(50(125), [(OM3, OM4) (50/125,Laser Optimization)])
900um/0.9mm Buffer Colour	Yellow: SM: OS2 (G.652.D / G.657.A1 / G.657.A2)
	Orange: OM1 , OM2
	Aqua: OM3, OM4
	Customized : Green,Brown,White,Red,Black,Purple,Rose,Slate
900um/0.9mm Types	Single Typical: 1 Fiber
	Bunch Typical: 12 Fibers
	Customized: 4-48 Fibers
Aramid Yarn (2.0/3.0mm)	Aramid yarn is laid over the cable core to serve as peripheral strength member.
Cable Jacket	Main material: PVC / LSZH / Plenum (OFNP)
	OD: Simplex: 0.9 /2.0/3.0mm Duplex: 0.9/2.0/3.0mm
Jacket Color	Yellow: SM: OS2 (G.652.D / G.657.A1 / G.657.A2)
	Orange: OM1, OM2
	Aqua: OM3, OM4
Cable Length	1m, 2m , 3m. other lengths on request

Product Specification

Connector

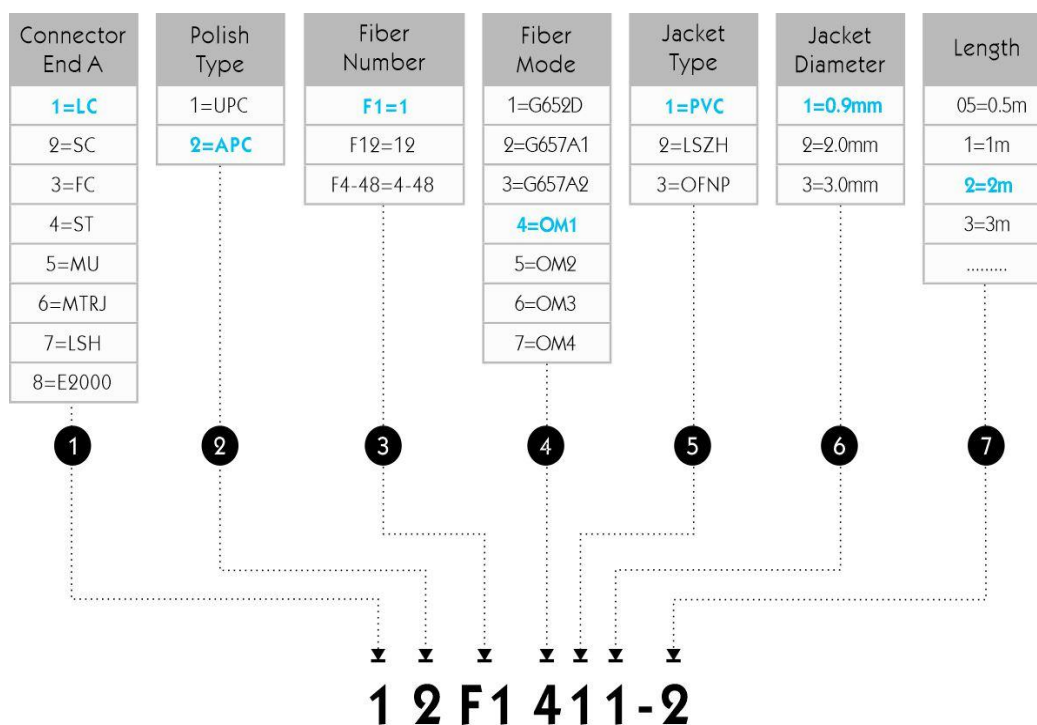
Connector Type	LC, SC, FC, ST, MU, MTRJ, LSH, E-2000
	<p>LC (Lucent Connector/Little Connector/Local Connector) Typical Application: High density connections, SFP and SFP+ transceivers, XFP transceivers</p>



Product Specification

Parameter	LC APC
	OM1 G.652.D/G.657.A1/G.657.A2
Operating Wavelength(nm)	850-1300
Insertion Loss (dB)	≤ 0.3
Return Loss (dB)	≥ 35
Repeatability (dB)	≤ 0.1
Interchangeability (dB)	≤ 0.2
Tensile Strength (N)	≥ 1000
Operating Temperature (°C)	-20 ~ +85
Storage Temperature (°C)	-40 ~ +85

Zion Code	Description
12F1411-2 (7242210)	LC APC Simplex OM1 Multimode PVC 0.9mm -2m(6ft) FOPT



OEM/ODM service for you

ZION Communication has rich experiences in producing OEM/ODM cases because of Profession R & D team.

- Customized Logo
- Printing on Cable
- Label/PE bag/Carton design
- Different Color & Different Lengths Available